



Description : Optical (photoelectrical) Smoke Detector for use in combination with Gas Detection Control Units ExTox ET-8D and ET-4D2. Several detectors can be connected in line.

Features

Measuring Principle : Photoelectrical
Operation/Alarm/Fault :

- Indication LED red for Operation and Alarm
- Indication LED yellow for Fault

Alarm Relay : Evaluation by Control Unit
(30 V DC/2 A to 120 V DC/1 A)
Operation Temperature : 0 °C to +50 °C

Mechanical Features

Dimensions : 100 mm x 50 mm (Diameter x Height)
Installation : On ceiling or at walls
Material : Housing Plastics
Enclosure Rating : IP 43
Storage Temperature : -25 °C to +60 °C

Electrical Features

Power Supply : Supply is done by Control Unit
(8.5 to 33 V DC)
Cable : 4-wires
Power Consumption : 70 µA

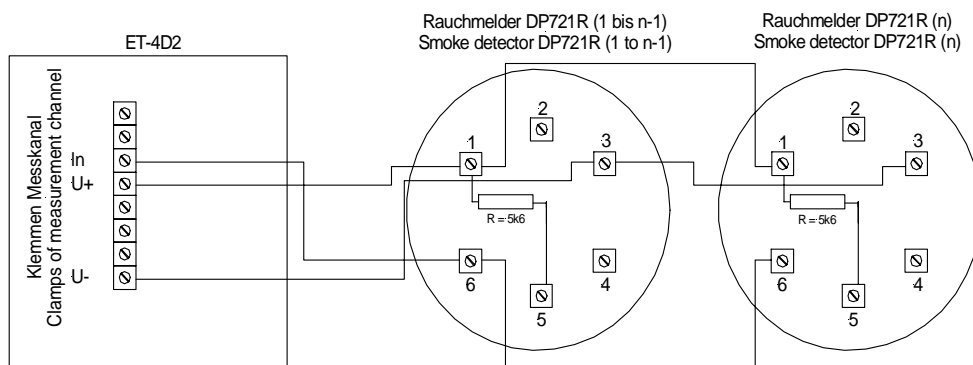
Conformity

Version : EN 54 and DIN 14675, VdS approved

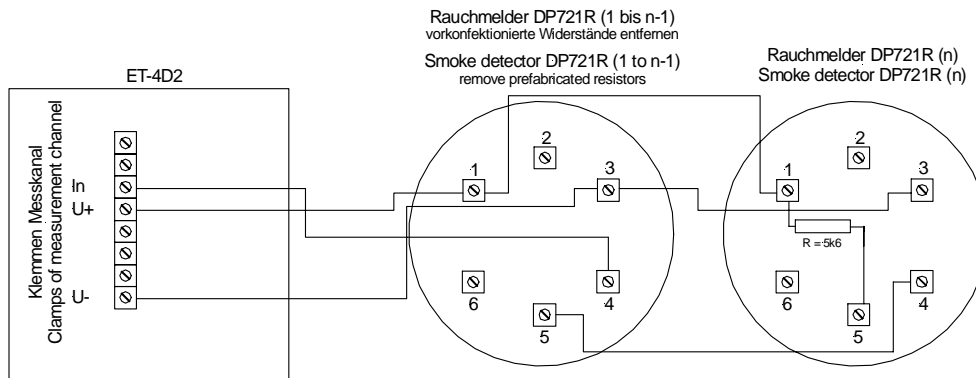
Optical Smoke Detector with Socket
Article-No.: 297000

- Installation Hints :
- The socket of the smoke detector is mounted on the ceiling or at the wall. The cable is connected to the socket. The detector is fixed on the socket via bayonet nut connector. The electrical connection between socket and detector is made automatically.
 - The resistors necessary for operation in combination with control units are pre-installed or attached to the detector.
 - When installing on the ceiling distance to walls: min. 10 cm
 - When installing at walls distance to the ceiling: min. 20 cm
 - Do NOT install where
 - Already under normal operation smoke formation can be expected
 - Water vapour can be present
 - The normal room temperature is already more than 40 °C
- Operation: : see Explanations in the Operation Manual of the Gas Detection Control Units ET-8D and ET-4D2
- Test Material : Smoke Detector Test spray (Art.-No. 995032)
- Connection Scheme :

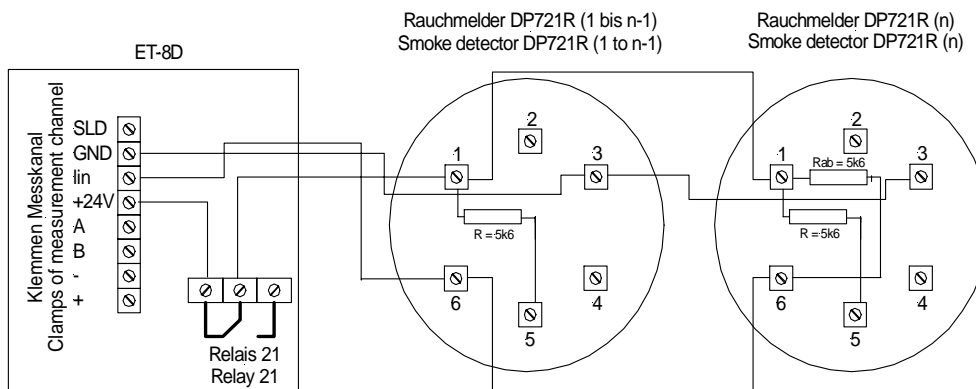
ET-4D2 (up to December 2013)



ET-4D2 since software REV131209R (January 2014)



ET-8D



Widerstände: 5,6 kΩ; Resistors: 5.6 kΩ

(Subject to Technical Changes)